

LDSL SERIES Outdoor Lighting

LDSL-MCT-D-SIL

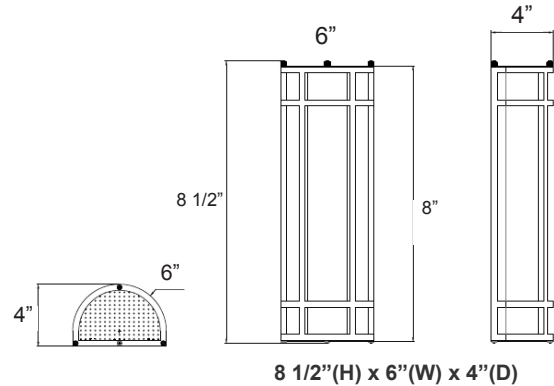


Customer Name: _____

Project Name: _____

Note: _____ Type: _____

Wall sconce fixture updated with the latest in LED technology. It provides accent illumination that visually expands the space and creates a relaxing atmosphere. Ideal for use in hallways, stairways, dining areas, foyers, and meeting rooms for residential and commercial applications. The long LED life, coupled with exceptional color rendering, make this fixture attractive for new or retrofit projects.



Features

- High-Transmission Frosted Plastic Lens with Excellent Distribution and Uniformity
- Direct replacement for Fluorescent
- Full distribution LED luminaries
- 70,000 Hours Rated Life
- 7-Year Warranty

Technical Specifications

Electrical:

- Voltage: 120~277VAC/50~60 Hz
- Wattage: 20W
- Power factor: >0.9
- Efficacy: 75 LPW

Mechanical:

- Die-cast Aluminum Housing with Powder Coat Finish (Silver)
- High-Transmission Frosted Plastic Lens with Excellent Distribution and Uniformity
- Direct replacement for Fluorescent
- Full distribution LED luminaries
- IP Rating: IP65
- Operating Temperature: -4°F to 113°F
- Suitable for Wet Locations

Lighting:

- Dimming: Dimming: 0~10V Dimmable
- Multi CCT: Selectable CCTs Switch located on the LED Board
- Total Lumens: 1500LM
- Color Temperature: 3000K/ 4000K/ 5000K
- Color Rendering Index: ≥ 80
- Beam Angle: 120°

Applications:

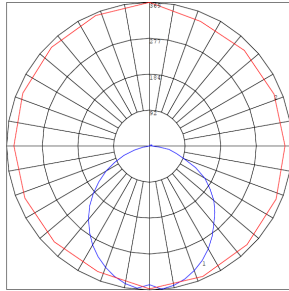
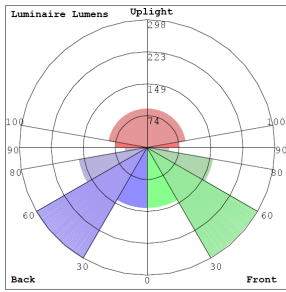
- Motel, Hotels, Hospitals, hallways, stairways, dining areas, foyers, and meeting rooms

Other Models:

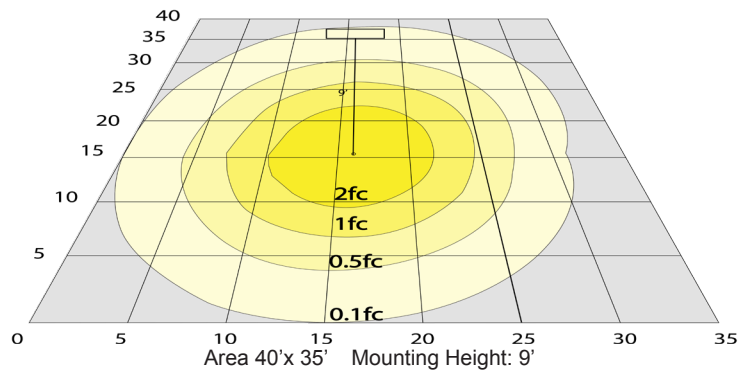
- 20W | 1500LM | LDSL-MCT-D-BZ



Photometrics: LDSL-MCT-D-SIL



BUG Rating: B1-U3-G1



Other Views:



Side View



Front View



Back View

Performance Table: LDSL-MCT-D-SIL

MODEL NO.	Wattage	Voltage	Lumens	Color Temp.	BUG Rating	LPW
LDSL-MCT-D-SIL	20W	120~277V	1500LM	3000K 4000K 5000K	B1-U3-G1	75

Sample Ordering

Model Color Temp. Dimming Housing

LDSL - MCT - D - SIL

Factory-Installed Option:

Blank = No Option For Accessories

OPT-EM-LDSL = EMERGENCY BATTERY BACKUP OPTION

OPT-PC-B1 = BUTTON-TYPE PHOTOCELL

OPT-SEN-LDS-GY = PROGRAMMABLE MICROWAVE BI-LEVEL SENSOR

WEC-8RC = OPTIONAL REMOTE CONTROL

FACTORY-INSTALLED OPTION:



OPT-EM-LDSL

EMERGENCY BATTERY BACKUP OPTION



OPT-SEN-LDS-GY
PROGRAMMABLE MICROWAVE
BI-LEVEL SENSOR



WEC-8RC
OPTIONAL REMOTE CONTROL



OPT-PC-B1
BUTTON-TYPE PHOTOCELL

Example:

1 LDSL-MCT-D-SIL

(For LDSL 20W MCT fixture 120~277V)

2.LDSL-MCT-D-SIL
WEC-8RC

(For LDSL 20W MCT fixture 120~277V)
(OPTIONAL REMOTE CONTROL)

